

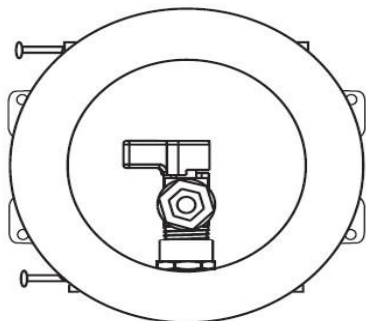
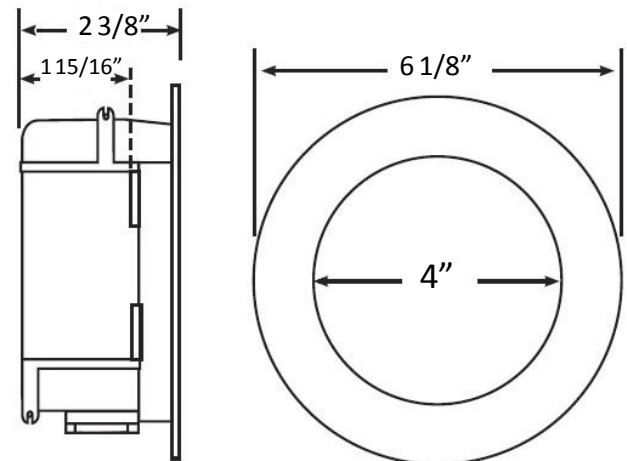
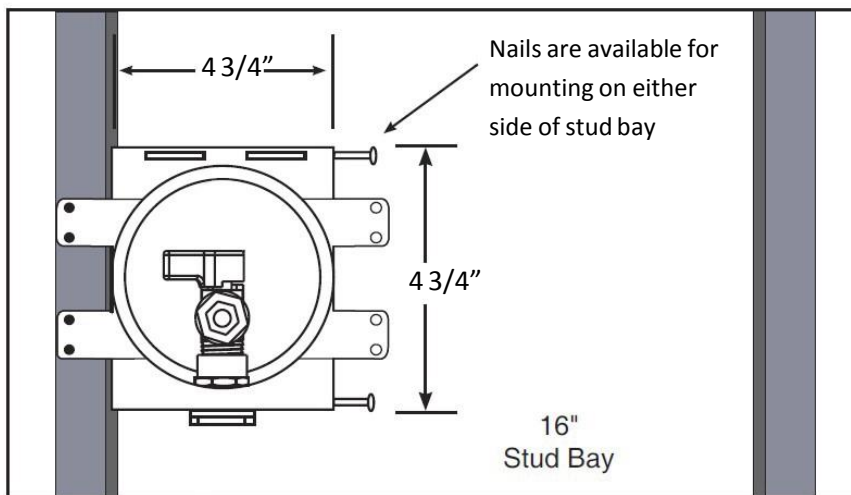
Round Mini Ice Maker Outlet Boxes with Quarter Turn Valve and Pre-Loaded Mounting Nails



Product Specifications

Product Features:

- Furnish and install miniature round ice maker outlet box with preloaded mounting nails and lead free qtr. turn valve.
- Unit shall be MAINLINE® product code checked below, manufactured by IPS Corporation.
- *Note: Valve is for illustration purposes only. Specific valve may vary.*



Product Code #	Product Description	Model #	Units/Case
ML87990	1/2" Sweat Conx.	AB9200CP	20
ML87992	1/2" PEX Conx.	AB9202CP	20
ML87994	1/2" CPVC Conx.	AB9201CP	20
ML87996	1/2" Wirsbo® Conx.	AB9211CP	20

Warranty

See warranty information for more details.

All dimensions listed are nominal. MAINLINE® reserves the right to make product and material changes at any time without notice.

Contact your sales representative for more information or visit our website at mainlinecollection.ca