

Fire Rated MultiBox™ Two-Box Washing Machine Outlet Box System with Quarter Turn Arrester Valves



Product Specifications

Product Features:

- Furnish and install Fire-Rated MultiBox™ Two-Box Washing Machine Outlet Box System
- Boxes may be inter-connected or installed separately
- Valve box includes DWV drain to capture hose leaks, while the drain box contains 2" drain with integrated knockout for DWV testing
- Unit shall be MAINLINE® product code checked below, as manufactured by IPS Corporation.

Box/Frame Material:

- PVC & Intumescent Pad attached





Valves:

- Qtr. Turn Arrester Valves with Sweat, CPVC, PEX or Wirsbo connection as checked below
- Valves comply with ASME A112.18.1/CSA B125.1-05
- Arresters comply with ASSE 1010

Available Accessories:

- Water Softener Adapter
- Condensate Adapter
- 3 Universal Faceplates: Open, Solid and Louvered Stabilizer Bar

Certifications:

- Box  
- Valves  
- Boxes have been certified with the following ratings:
ASTM E814, 1 Hr (F), 41 Min (T) and 2 Hr (F), 101 Min (T)
CAN/ULC-S115-1 Hr (F/FH), 41 Min (FT/FTH) and 2 Hr (F/FH), 101 Min (FT/FTH)



Product Code #	Product Description	Model #	Units/Case
ML83064	FR Two Box WMOB System, Qtr-turn Arrester Valves, 1/2" Sweat Connection	MBFR1200HACP	10
ML83065	FR Two Box WMOB System, Qtr-turn Arrester Valves, 1/2" CPVC Connection	MBFR1201HACP	10
ML83066	FR Two Box WMOB System, Qtr-turn Arrester Valves, 1/2" PEX Connection	MBFR1202HACP	10
ML83067	FR Two Box WMOB System, Qtr-turn Arrester Valves, 1/2" Wirsbo Connection	MBFR1211HACP	10

Warranty

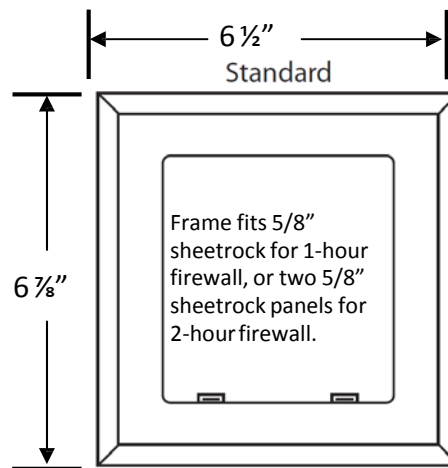
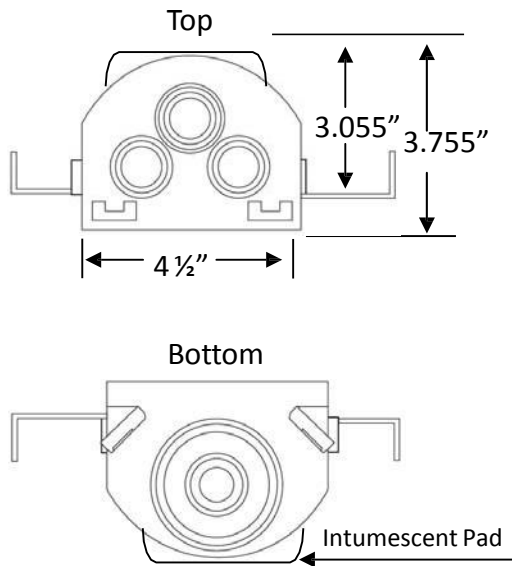
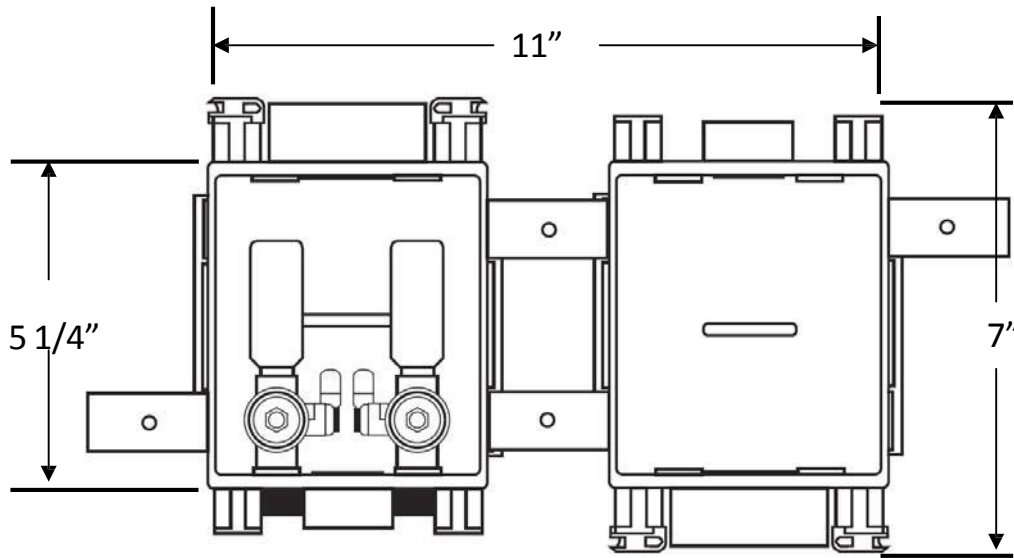
See warranty information for more details.

All dimensions listed are nominal. MAINLINE® reserves the right to make product and material changes at any time without notice.

Contact your sales representative for more information or visit our website at mainlinecollection.ca

Fire Rated MultiBox™ Two-Box Washing Machine Outlet Box System with Quarter Turn Arrester Valves

Product Specifications



Warranty

See warranty information for more details.

All dimensions listed are nominal. MAINLINE® reserves the right to make product and material changes at any time without notice.

Contact your sales representative for more information or visit our website at mainlinecollection.ca