

# Fire Rated MultiBox™ Two-Box Washing Machine Outlet Box System with Quarter Turn Valves



## Product Specifications

### Product Features:

- Furnish and install Fire Rated MultiBox™ Two-Box Washing Machine Outlet Box System.
- Boxes may be inter-connected or installed separately
- Valve box includes DWV drain to capture hose leaks, while the drain box contains 2" drain with integrated knock-out for DWV testing
- Unit shall be MAINLINE® product code checked below, as manufactured by IPS Corporation

### Box/Frame Material:

- PVC & Intumescent Pad attached



### Valve & Drain Options:

- Qtr. Turn Valves with Sweat, CPVC, PEX or Wirsbo connection as checked below
- Valves comply with ASME A112.18.1/CSA B125.1-05

### Available Accessories:

- Water Softener Adapter
- Condensate Adapter
- 3 Universal Faceplates: Open, Solid and Louvered

### Certifications:

- Box 
- Valves 
- Boxes have been certified with the following ratings:  
ASTM E814, 1 Hr (F), 41 Min (T) and 2 Hr (F), 101 Min (T)  
CAN/ULC-S115-1 Hr (F/FH), 41 Min (FT/FTH) and 2 Hr (F/FH), 101 Min (FT/FTH)



To Submit	Product Code #	Product Description	Model #	Units/Case
	ML83056	FR Two Box WMOB System, Qtr-turn Valves, 1/2" Sweat Connection	MBFR1200CP	10
	ML83057	FR Two Box WMOB System, Qtr-turn Valves, 1/2" CPVC Connection	MBFR1201CP	10
	ML83058	FR Two Box WMOB System, Qtr-turn Valves, 1/2" PEX Connection	MBFR1202CP	10
	ML83059	FR Two Box WMOB System, Qtr-turn Valves, 1/2" Wirsbo Connection	MBFR1211CP	10

### Warranty

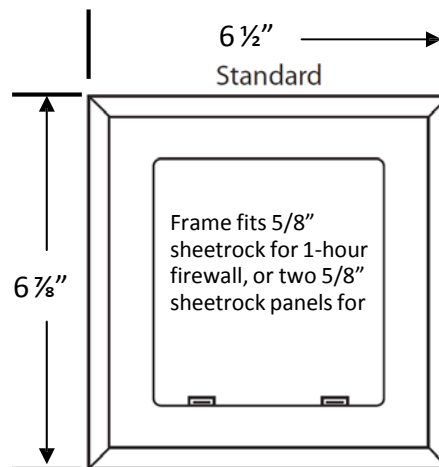
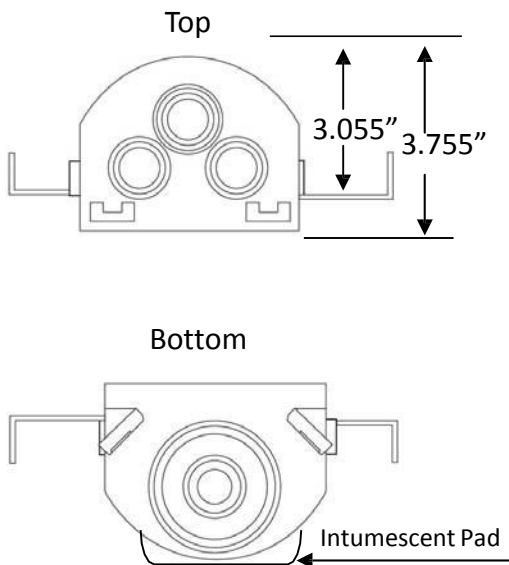
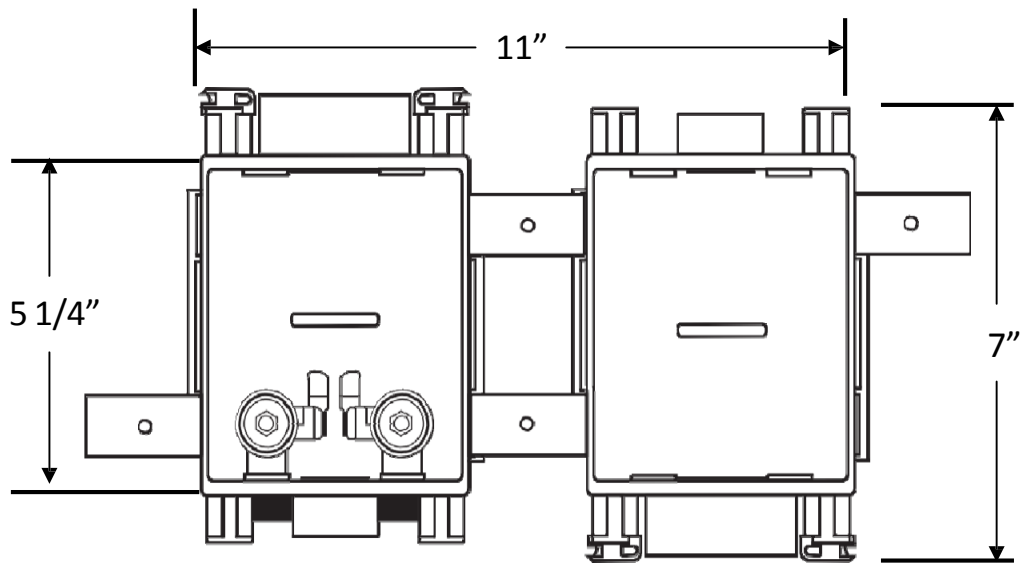
See warranty information for more details.

All dimensions listed are nominal. MAINLINE® reserves the right to make product and material changes at any time without notice.

Contact your sales representative for more information or visit our website at [mainlinecollection.ca](http://mainlinecollection.ca)

# Fire Rated MultiBox™ Two-Box Washing Machine Outlet Box System with Quarter Turn Valves

Product Specifications



## Warranty

See warranty information for more details.

All dimensions listed are nominal. MAINLINE® reserves the right to make product and material changes at any time without notice.

Contact your sales representative for more information or visit our website at [mainlinecollection.ca](http://mainlinecollection.ca)