

MultiBox™, Ice Maker Outlet Box System with Quarter Turn Valve with Hammer Arrestor



Product Specifications

Product Features:

- Furnish and install MultiBox™ Ice Maker Outlet Box
- Unit shall be MAINLINE® product code checked below, as manufactured by IPS Corporation

Box/Frame Material:

- PVC

Valve:

- Lead free Qtr. Turn Valve with Sweat, CPVC, PEX or Wirsbo connection as checked below
- Valve complies with ASME A112.18.1/CSA B125.1-05, NSF61-NSF/ANSI 372, and meets California No Lead Plumbing Law
- Arrestor complies with ASSE 1010



Available Accessories:

- 3 Universal Faceplates: Open, Solid and Louvered Stabilizer Bar

Certifications:

- Box 
- Valve  

To Submit	Product Code #	Product Description	Model #	Units/Case
	ML82934	IMOB, Qtr-turn Arrestor Valve, 1/2" Sweat Connection, CP	AB1200HACP	10
	ML82935	IMOB, Qtr-turn Arrestor Valve, 1/2" CPVC Connection, CP	AB1201HACP	10
	ML82936	IMOB, Qtr-turn Arrestor Valve, 1/2" PEX Connection, CP	AB1202HACP	10
	ML82937	IMOB, Qtr-turn Arrestor Valve, 1/2" Wirsbo Connection, CP	AB1211HACP	10

Warranty

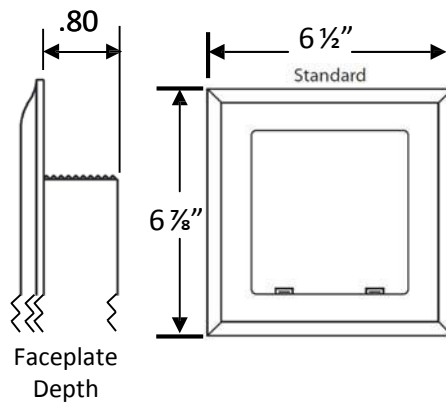
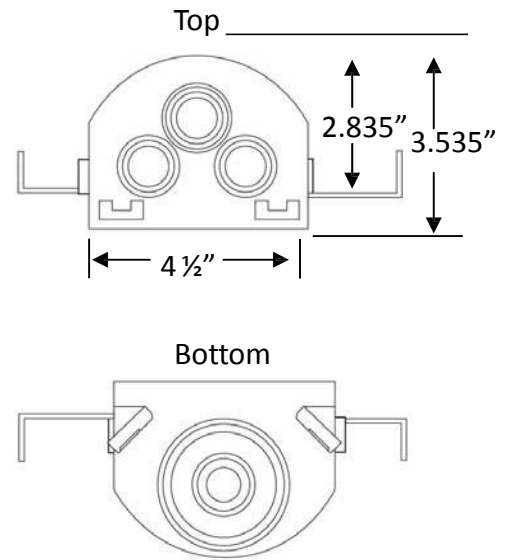
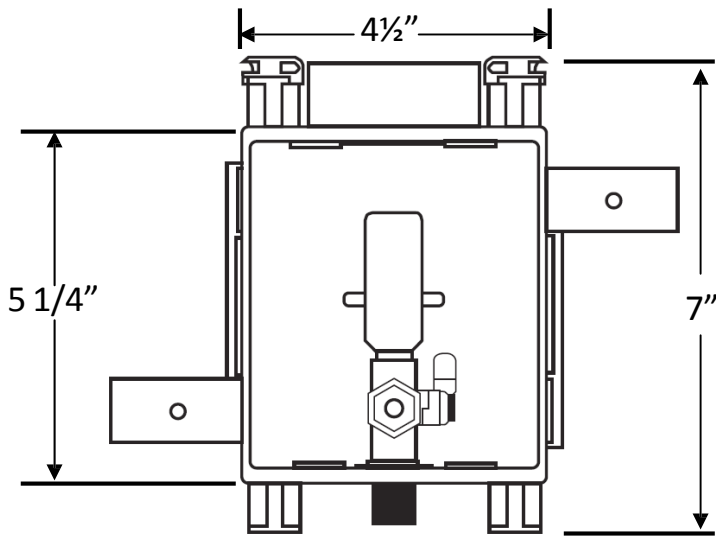
See warranty information for more details.

All dimensions listed are nominal. MAINLINE® reserves the right to make product and material changes at any time without notice.

Contact your sales representative for more information or visit our website at mainlinecollection.ca

MultiBox™, Ice Maker Outlet Box System with Quarter Turn Valve with Hammer Arrester

Product Specifications



Warranty

See warranty information for more details.

All dimensions listed are nominal. MAINLINE® reserves the right to make product and material changes at any time without notice.

Contact your sales representative for more information or visit our website at mainlinecollection.ca