

# Ice Maker Outlet Box, Fire Rated with Quarter Turn Valve

## Product Specifications



### Product Features:

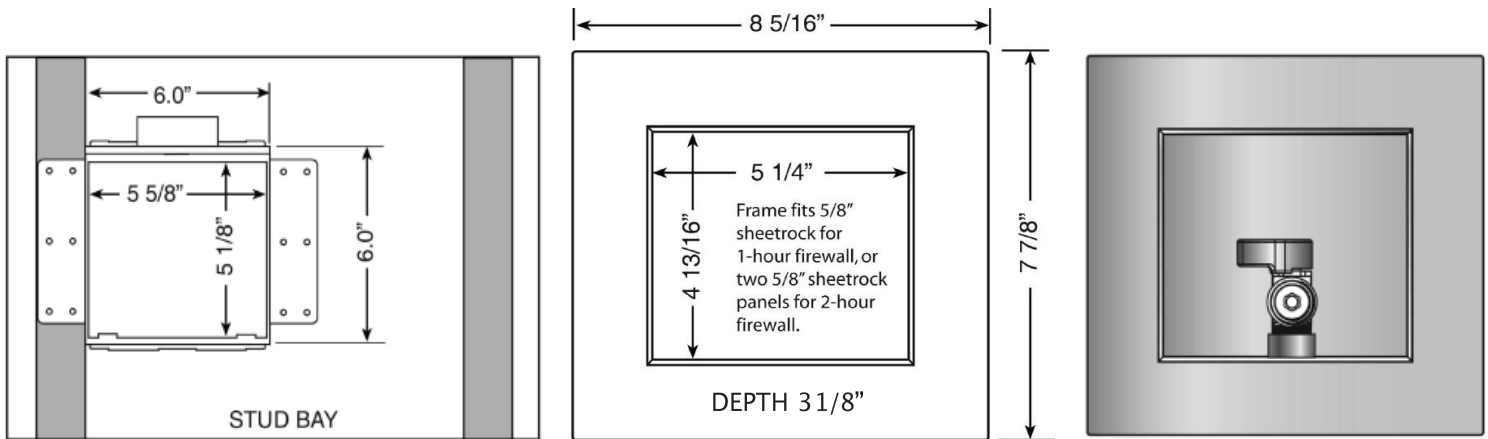
- Furnish and install fire rated recessed ice maker outlet box
- Unit shall have a lead free brass plated quarter-turn ball valve
- Unit shall be MAINLINE® product code checked below as manufactured by IPS Corporation

### Box Material:

- PVC Resin with Intumescent Pad attached

### Valve & Drain Options:

- Lead free Qtr Turn Valve with 1/2" MIP/Sweat, CPVC, PEX or Wirsbo connection
- Valves comply with ASSE 1010



To Submit	Item#	Product Description	Model#	Quantity
	ML82409	Lead Free Qtr Turn Valve, 1/2" Sweat Connection, Contractor Pack	FRIB12ABSCP	10
	ML82412	Lead Free Qtr Turn Valve, 1/2" CPVC Connection, Contractor Pack	FRIB12ABCP	10
	ML82414	Lead Free Qtr Turn Valve, 1/2" PEX® Connection, Contractor Pack	FRIB12ABPCP	10
	ML82416	Lead Free Qtr Turn Valve, 1/2" Wirsbo® Connection, Contractor Pack	FRIB12ABWCP	10

### Warranty

See warranty information for more details.

All dimensions listed are nominal. MAINLINE® reserves the right to make product and material changes at any time without notice.

Contact your sales representative for more information or visit our website at [mainlinecollection.ca](http://mainlinecollection.ca)