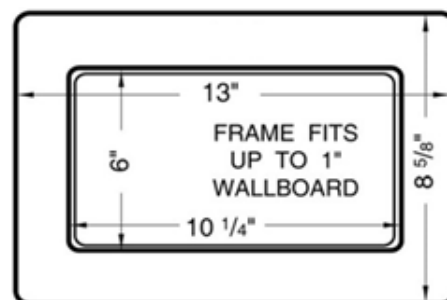
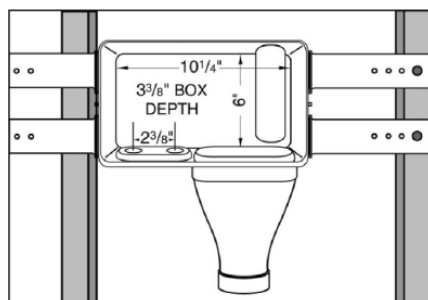


Wide Mouth Washing Machine Box

Product Specifications

FEATURES

- One piece design speeds installation
- 1/4 turn ball valves, multiple connections
- Drain outlet connects to ABS or PVC DWV
- Drain Line partition for separation of washer discharge hose and auxiliary discharge line
- Discharge guide tube holds discharge line firmly and protects against splashes
- One piece molded in test cap will not fall down drain line
- Auxiliary discharge line tube included for AC condensation, water softener, or humidifier line
- Face frame included
- Available with or without hammer arrester



| ✓ To Submit | Part # | Description |
|-------------|---------|--|
| | ML10501 | Wide Mouth 1/4 Turn MIP/SWT Valve White |
| | ML10502 | Wide Mouth 1/4 Turn CPVC Valve White |
| | ML10503 | Wide Mouth 1/4 Turn PEX Valve White |
| | ML10504 | Wide Mouth 1/4 Turn UPONOR Valve White |
| | ML10509 | Wide Mouth 1/4 Turn MIP/SWT Valve w/ Hammer Arrester White |
| | ML10510 | Wide Mouth 1/4 Turn CPVC Valve w/ Hammer Arrester White |
| | ML10511 | Wide Mouth 1/4 Turn PEX Valve w/ Hammer Arrester White |
| | ML10512 | Wide Mouth 1/4 Turn UPONOR Valve w/ Hammer Arrester White |
| | ML10522 | Face Frame Only White |

Warranty

See warranty information for more details.

All dimensions listed are nominal. MAINLINE® reserves the right to make product and material changes at any time without notice.



Contact your sales representative for more information or visit our website at mainlinecollection.ca