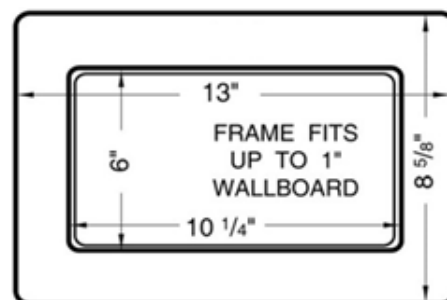
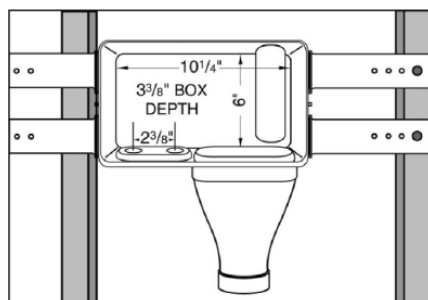


Wide Mouth Washing Machine Box

Product Specifications

FEATURES

- One piece design speeds installation
- 1/4 turn ball valves, multiple connections
- Drain outlet connects to ABS or PVC DWV
- Drain Line partition for separation of washer discharge hose and auxiliary discharge line
- Discharge guide tube holds discharge line firmly and protects against splashes
- One piece molded in test cap will not fall down drain line
- Auxiliary discharge line tube included for AC condensation, water softener, or humidifier line
- Face frame included
- Available with or without hammer arrester



✓ To Submit	Part #	Description
	ML10501	Wide Mouth 1/4 Turn MIP/SWT Valve White
	ML10502	Wide Mouth 1/4 Turn CPVC Valve White
	ML10503	Wide Mouth 1/4 Turn PEX Valve White
	ML10504	Wide Mouth 1/4 Turn UPONOR Valve White
	ML10509	Wide Mouth 1/4 Turn MIP/SWT Valve w/ Hammer Arrester White
	ML10510	Wide Mouth 1/4 Turn CPVC Valve w/ Hammer Arrester White
	ML10511	Wide Mouth 1/4 Turn PEX Valve w/ Hammer Arrester White
	ML10512	Wide Mouth 1/4 Turn UPONOR Valve w/ Hammer Arrester White
	ML10522	Face Frame Only White

Warranty

See warranty information for more details.

All dimensions listed are nominal. MAINLINE® reserves the right to make product and material changes at any time without notice.



Contact your sales representative for more information or visit our website at mainlinecollection.ca