

Brass Slip Joint Waste Connector

Connecteur de joint coulissant en laiton

Product Specifications



MAINLINE



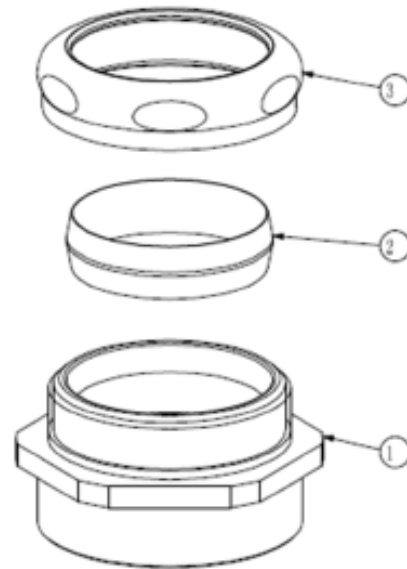
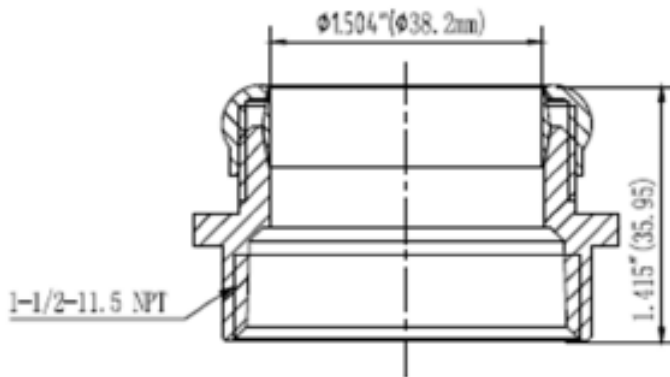
ML1013

FEATURES

- 1 1/2" FIP x 1 1/2" Slip Joint

CARACTÉRISTIQUES

- Joint coulissant 1 1/2 po FIP x 1 1/2 po



#	Part/ Pièce	Material/ Matériel
1	Body/ Composant	Brass/ Laiton
2	Compression Ring/ Bague de compression	Brass/ Laiton
3	Nut/ Écrou	Brass/ Laiton



Contact your sales representative for more information or visit our website at mainlinecollection.ca