

Brass Slip Joint Waste Connector

Connecteur de joint coulissant en laiton

Product Specifications



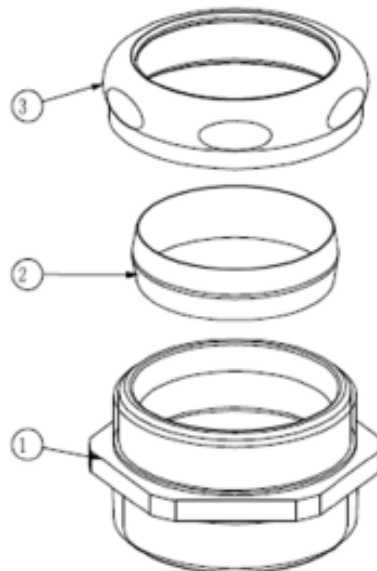
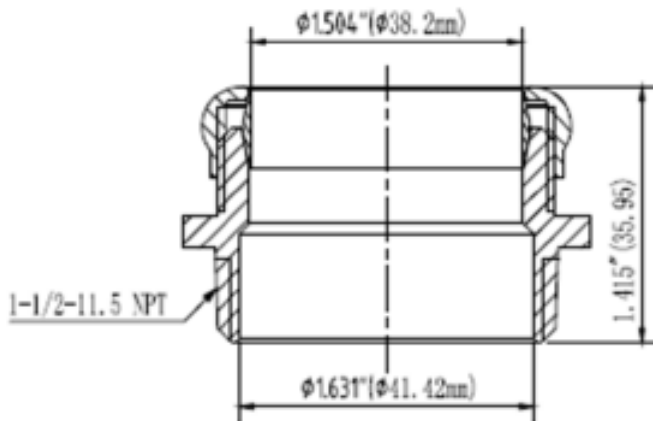
ML1005

FEATURES

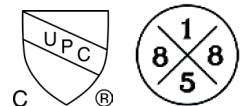
- 1 1/2" MIP x 1 1/2" Slip Joint

CARACTÉRISTIQUES

- Joint coulissant 1 1/2 po MIP x 1 1/2 po



| # | Part | Material |
|---|--|---------------|
| 1 | 90° Waste Arm/ 90 degré coude d'évacuation | Brass/ Laiton |
| 2 | Compression Ring/ Bague de compression | Brass/ Laiton |
| 3 | Nut/ Écrou | Brass/ Laiton |



Contact your sales representative for more information or visit our website at mainlinecollection.ca