

# Disposal Flange

Bride de broyeur

Product Specifications



**MAINLINE**

## MLDFSS

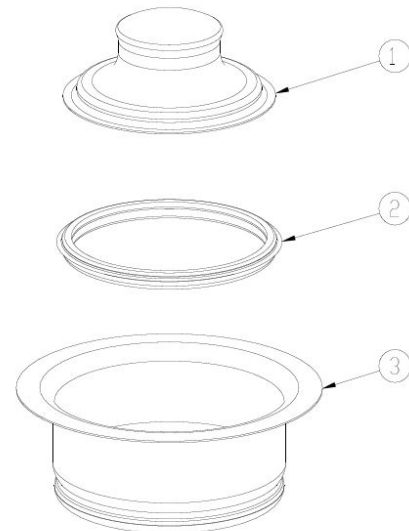
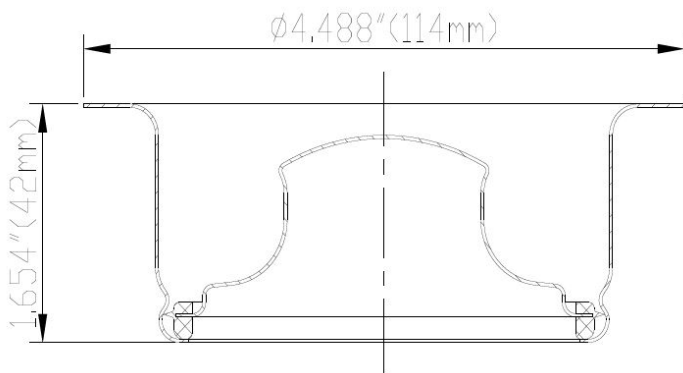


### FEATURES

- Stainless Steel Body
- Stainless Steel Basket
- Fits Standard Disposal Units
- Brushed Stainless Steel Finish

### CARACTÉRISTIQUES

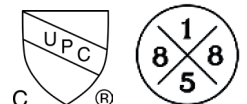
- Fabriqué en acier inoxydable
- Panier en acier inoxydable
- Convient pour les broyeurs standards
- Fini en acier inoxydable brossé



#	Part/ Pièce	Material/ Matériel
1	Cover/ Couvercle	Stainless Steel/ Acier inoxydable
2	Stopper/ Arrêt	Rubber/ Caoutchouc
3	Body/ Composant	Stainless Steel/ Acier inoxydable

#### AVAILABLE FINISHES / FINIS OFFERTS :

- Polished Chrome / Chrome poli (CP)



Contact your sales representative for more information or visit our website at [mainlinecollection.ca](http://mainlinecollection.ca)