



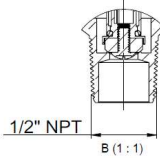
MAINLINE®

Preferred by the pros.™

No Freeze Hydrants

Hot & Cold Mixer/Frost Free Faucet

SPECIFICATIONS



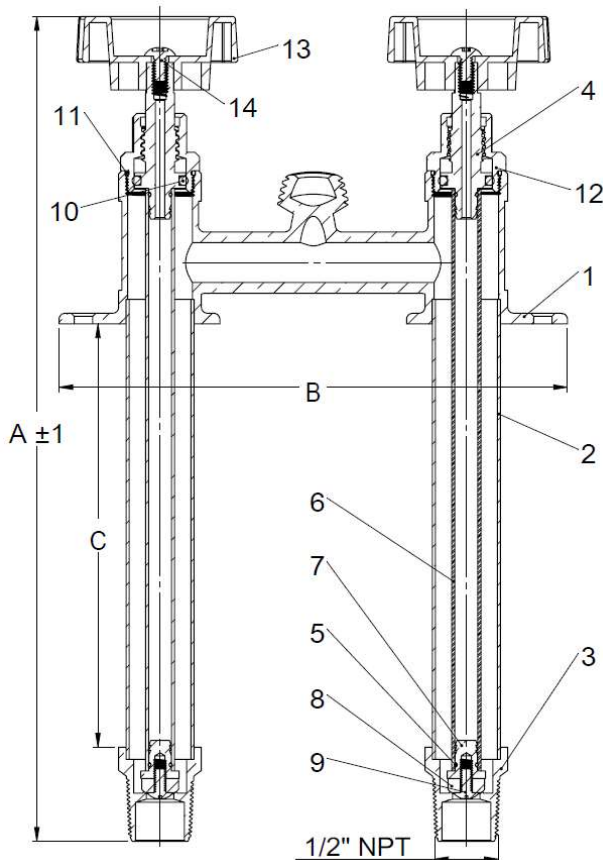
Features

- Full Turn
- 1/2" Male Threaded Connection
- Chrome Plated
- With Spring Loaded Stop Mechanism
- Working/Maximum Water Pressure: 125 psi
- Working Water temperature: 32°F~140°F (0°C~60°C)
- Maximum Water Temperature: 180°F (82°C)
- Warranty – Limited 1 Year
- Replaceable Stem and Vacuum Breaker

Hot & Cold/Full Turn/1/2" NPT/SWEAT

| MODEL | DIMENSIONS | | | PACK QTY | | |
|--------------|------------|-------|------|----------|-----------|------------|
| | SIZE | A | B | C | INNER BOX | MASTER BOX |
| MLFFHC12M-12 | 12 INCH | 17.17 | 6.54 | 12.01 | 5/BOX | 10/BOX |

Drawings



Parts*

| NO | PART | MATERIAL |
|----|-----------------------|----------|
| 1 | VALVE BODY | BRASS |
| 2 | BODY OUTSIDE TUBE | BRASS |
| 3 | END ADAPTER 1/2" MALE | BRASS |
| 4 | VALVE OPERATION STEM | BRASS |
| 5 | O-RING | NBR |
| 6 | INSIDE STEM TUBE | BRASS |
| 7 | STEM GUIDE | BRASS |
| 8 | SEAT WASHER | NBR |
| 9 | SEAT WASHER SCREW | SS |
| 10 | STEM OPERATION O-RING | NBR |
| 11 | O-RING | NBR |
| 12 | BODY PACKING NUT | BRASS |
| 13 | HANDLE | ABS |
| 14 | HANDLE SCREW | SS |

- Parts List provided for reference purpose. Available Replacement Parts Below:
 - **MLFFSVBK** – Vacuum Breaker
 - **MLFFSTEM** – Full Turn Faucet Replacement Stem

Service & Parts

Please reach out to epleservice@emcoltd.com for support/ visit mainlinecollection.ca / CANADA +1 (450) 621 5636