



True-Fit Push-To-Connect Brass 90° Elbows

Product Specifications

Page 1 of 2

PRODUCT FEATURES

- Forged Lead Free* Brass
- Maximum Working Pressure: 200 PSI
- Maximum Temperature Rating: 200° F
- Compatible with Copper, CPVC, PEX & PE-RT
- Replaceable O-Ring Seal Design
- Removable and Reusable
- Push to Connect
- Full Flow
- Pre-Inserted Stiffener
- Single Seal

APPROVED APPLICATIONS

- Plumbing
- Heating
- Irrigation
- Underground
- Hydronic Heating
- Behind Walls without Access Panel



NOTE: When using PEX, a tube stiffener should be inserted into the PEX tubing end prior to insertion into the fitting. Mainline Push Connect Fittings include pre-inserted stiffeners.

True-Fit Push to connect fittings install in seconds, never requiring glue, crimping or soldering. Fittings connect COPPER, PEX and CPVC, PE-RT quickly and effortlessly, making quick work of every plumbing project, ensuring a permanent leak-free seal every time.

FORCES FOR MECHANICAL SEPARATION TEST

✓To Submit	Part #	Size
	MLPFB312	1/2" x 1/2"
	MLPFB334	3/4" x 3/4"

Nominal Size		Longitudinal (Pull) Test	
Inches	mm	Lbf	N
1/2	13	150	667
3/4	19	275	1223.2

Warranty

See warranty information for more details.

All dimensions listed are nominal. MAINLINE® reserves the right to make product and material changes at any time without notice.



Contact your sales representative for more information or visit our website at mainlinecollection.ca

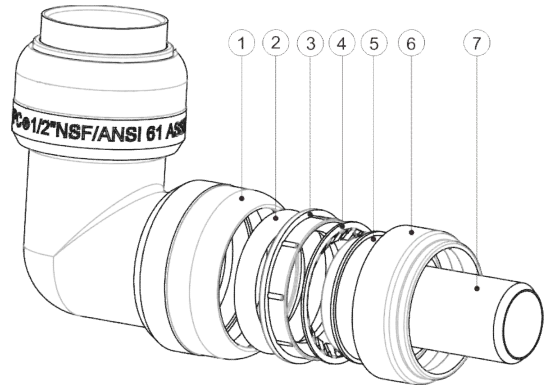
True-Fit Push-To-Connect Brass 90° Elbows

Product Specifications

Page 2 of 2

MATERIALS & SPECIFICATIONS

#	Component	Material	
		<= 1"	> 1"
1	Body	Lead Free Brass	Lead Free Brass
2	O-Ring seal	EPDM 70	EPDM 70
3	Support Ring	PA66	Lead Free Brass
4	Grip ring	Stainless Steel	Stainless Steel
5	Push Ring	POM	Lead Free Brass
6	Seat Ring	POM	Lead Free Brass
7	Bushing	PSU	Red copper



DIMENSIONS

#	Part #	Φ	D	L
1	MLPFB312	0.64	0.97	1.44
2	MLPFB334	0.88	1.11	1.71

