

SPECIFICATIONS

Features

- 3 Hole Configuration
- 20 Gauge High Quality Stainless Steel
- Type/Grade 304 Stainless Steel
- Premium Undercoating
- Superior Sound Absorption Pads
- Brushed Satin Finish

Dimensions

- Overall size: 31" x 20 1/2" Double Bowl
- Depth: 7" (left), 7" (right)
- Minimum/Standard Cabinet Size: 33"
- Drain Opening: 3-1/2"
- Drain Placement: Center

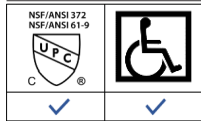


ML3120-7-20-3R

Accessories

Stainless Steel Strainer with Plastic Tail Piece - Included
 Mounting Clips - Included
 Cut Out Template - Included
 Stainless Steel Bottom Grids - Not Available

Standards & Certifications



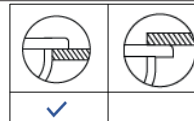
Type/ Grade of Material Used

16G 	18G 	20G 	22G
		✓	

Available Finishes

Brushed Satin	Pearl Black
✓	

Mount Type



Number of Holes

○	○ ○	○ ○ ○
		✓

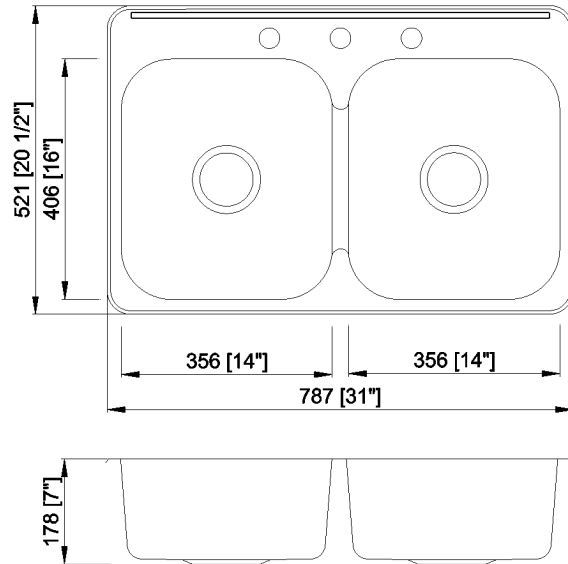
Please visit www.mainlinecollection.ca for available finishes & options. Finish is defined by additional suffix.

Similar Models

MODEL	SIZE(INCH)	DEPTH	HOLES
ML3120-7-20-1R	31" X 20"	7"	1 Hole
ML3120-8-20-1R	31" X 20"	8"	1 Hole
ML3120-8-20-3R	31" X 20"	8"	3 Holes

Please visit www.mainlinecollection.ca for more information.

Drawings



All dimensions listed are nominal. Mainline® reserves the right to make product and material changes at any time without notice.



Mainline warrants to the original purchaser of Mainline Stainless Steel sinks installed in the United States or Canada for as long as the original purchaser owns his or her home that Mainline will provide an equivalent sink to replace any Mainline Stainless Steel sink that fails due to a manufacturing defect provided that the sink has been solely for residential use and has not been damaged due to abuse, misuse, or negligence. This limited warranty does not cover and Mainline is not liable for transportation costs, labor charges incurred and/or damages sustained during the course of installation, repair, or replacement of any product(s) provided under this limited warranty. This limited warranty is nontransferable.

SUBMITTAL INFORMATION

Name: _____ Contractor: _____
 Location: _____ Contact #: _____
 Notes: _____

Service & Parts

Please reach out to epleservice@emcoltd.com for support/ visit mainlinecollection.ca / CANADA +1 (450) 621 5636