

Valve Only Trim

Garniture robinet seulement
Pieza exterior para válvula

Product Specifications



Madeline[®]

**MA511TL SH-CP
MA511TL SH-BN**

FEATURES

- Requires 410V, 410V-PEX or 410V-LS Rough-In Valve
- Coordinates with Madeline Suite
- Metal Lever Handle
- 100% Factory Pressure Tested

CARACTÉRISTIQUES

- Valve de robinetterie brute 410V, 410V-PEX ou 410V-LS requise
- Coordonné avec l'ensemble Madeline
- Levier en métal
- Pression vérifiée en usine- 100%

CARACTERÍSTICAS

- Válvula enfoscada 410V, 410V-PEX o 410V-LS requerida
- Coordina con la suite de Madeline
- Manija de metal
- Probado en fábrica bajo presión al 100%

APPLICABLE STANDARDS/CODES

Specified model meets or exceeds the following:

NORMES ET CODES APPLICABLES

Le modèle spécifié est conforme aux normes suivantes ou les dépasse:

NORMAS Y ESTÁNDARES APLICABLES

El modelo especificado reúne o sobrepasa las siguientes condiciones

- ASME A112.18.1/CSA B125.1
- IAPMO/cUPC
- ADA

AVAILABLE FINISHES / FINIS OFFERTS / DISTINTOS ACABADOS:

- Polished Chrome / Chrome poli / Cromo lustrado (CP)
- PVD Brushed Nickel / PVD Nickel brossé / PVD Níquel cepillado (BN)



Contact your sales representative for more information or visit our website at mainlinecollection.com

Valve Only Trim

Garniture robinet seulement
Pieza exterior para válvula

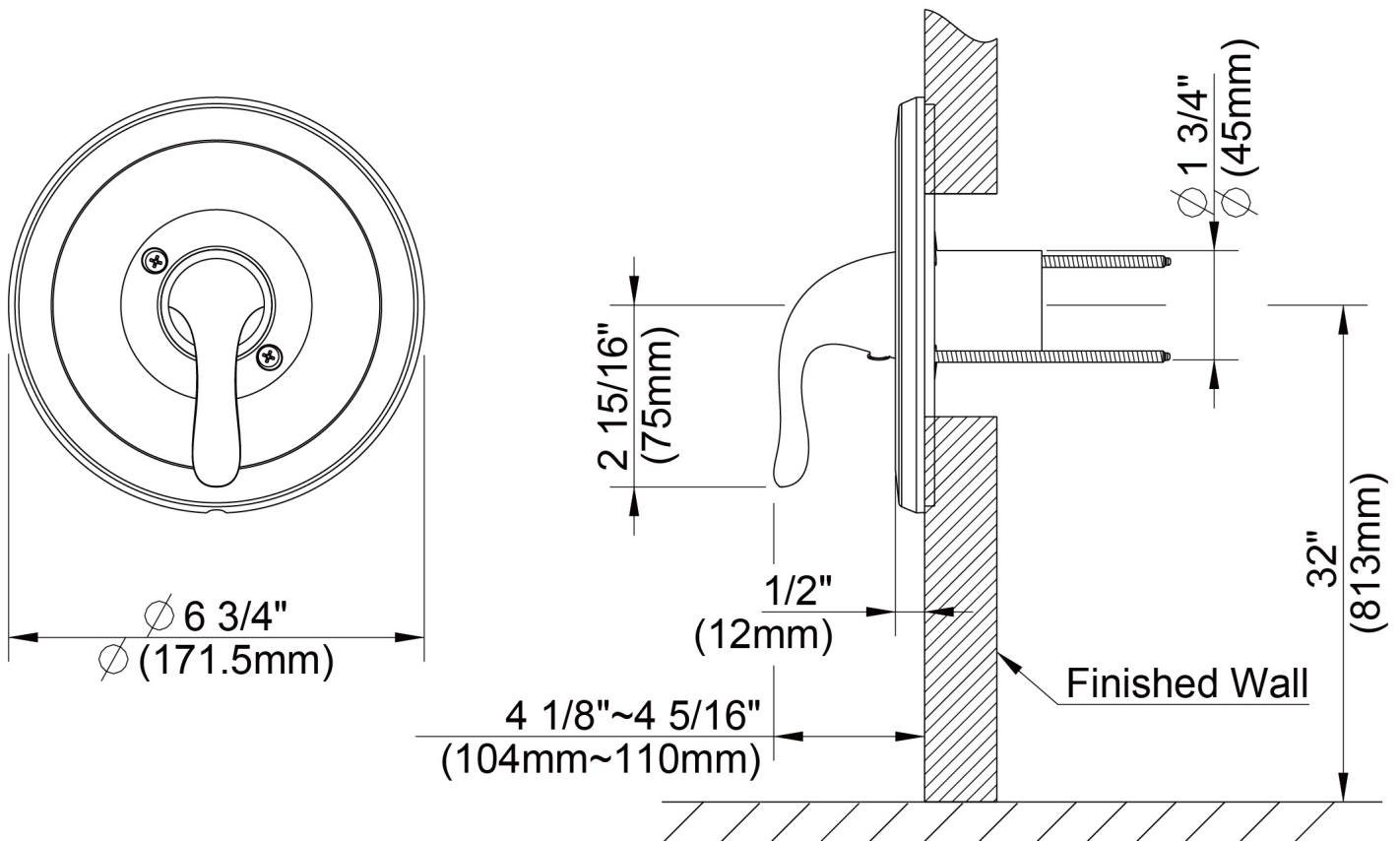
Product Specifications



MAINLINE®

Madeline®

**MA511TLSh-CP
MA511TLSh-BN**



Contact your sales representative for more information or visit our website at mainlinecollection.com

Revised 1/6/2023